

BOLT NOVA

SPECIFICATION SHEET
RGBW OUTDOOR

NEXT GEN NATATORIUM-RATED RGBW FLOODLIGHT

Housing

Diameter : 23" x 28.9" x 16" (500W), 23" x 41.3" x 20.4" (750W)

Weight : 44 lbs (500W), 77 lbs (750W)

Material

Housing : High Pressure Die-Cast Aluminum, Tempered Glass

Mounting : Corrosion-resistant fluorocarbon-coated steel

Lens : PC Lens

Power Input

500W, 750W | 277V, 347-480V

Lumen Output

41,910 lm (500W), 62,890 lm (750W)

Dimming

DMX : High resolution dims to 1%

DALI : DT6 (4 Channel) control dims to 1%

Color Quality

CRI 85

Rated Life

> 100,000 Hours (L70)

Finish



Black



White

Color Temperature



RGB

+



3000K

Optics



30°



60°



Asymmetric

Mounting



Stem
Mount



Bracket



Wall
Mount



Flood
Mount

Warranty

5 Year limited warranty

Listing



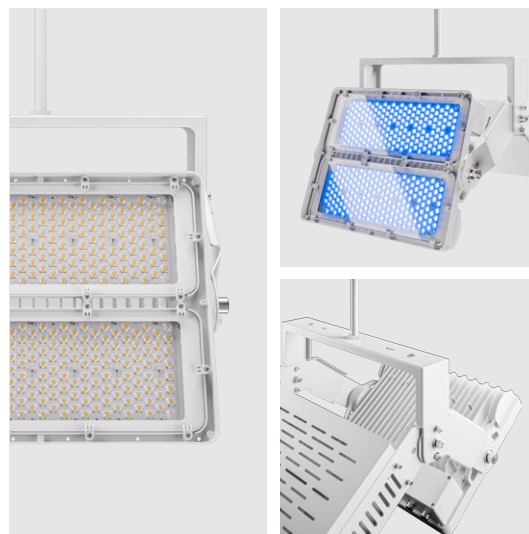
IK10

METEOR

Evolved With Color To Excel In Challenging Environments

We've enhanced the acclaimed Bolt Nova, taking its proven durability and natatorium-ready engineering a step further. This new variation adds full RGBW color capabilities to the robust, IP66-rated, corrosion-resistant package you trust.

Now featuring both direct and indirect mounting options, the Bolt Nova RGBW delivers the same reliable performance with the added power of dynamic color control for any demanding sports or aquatic environment.



meteor-lighting.com

SPECIFICATION

PROJECT NAME

DATE

CATALOG #

QUANTITY

The product configurator function on this page works only with the latest version of Chrome or Adobe Acrobat Reader.

<input type="text" value="BLTN"/>	MODEL	BOLT NOVA SERIES		
<input type="text"/>	DIRECTION	D Downlight	U Uplight	
<input type="text"/>	WATTAGE	500 500W	750 750W	
<input type="text" value="C308"/>	CCT / CRI	C308 RGBW (RGB + 3000K / CRI85)		
<input type="text"/>	VOLTAGE	277 277V	HVT 347-480V	
<input type="text"/>	DIMMING	DMX DMX dims to 1%	DALI DT6 (4 Channel) control dims to 1%	
<input type="text"/>	BEAM ANGLE	30 30°	60 60°	ASY Asymmetric
<input type="text"/>	FINISH	BLK Black	WHT White	
<input type="text"/>	MOUNTING	ST2 Stem 2 ft BRK Bracket	ST4 Stem 4 ft WLM Wall Mount	ST6 Stem 6 ft FM ¹ Flood Mount
<input type="text"/>	RATING	OUT ² Outdoor Rating	NAT ³ Natatorium Rating	
<input type="text"/>	ACCESSORIES	GSV ⁴ Glare Shield Visor	WG ⁵ Wire Guard (IK10 Rating)	

CLEAR FORM

¹ FM is not compatible with Uplight configuration
² Outdoor Rating: Coating and wiring will be changed to high UV resistant and corrosion resistant materials for long term operation in outdoor environments
³ Natatorium rating: Coating and sealant will be changed to high corrosion resistant materials to prevent damage from long term exposure to chlorine vapors
⁴ GSV option reduces delivered lumens by ~15% (~5% with ASY)
⁵ WG option reduces delivered lumens by ~30%

TECHNICAL DETAILS

Electrical

- 41,910 lm (500W), 62,890 lm (750W)
- Power Input : High Voltage Range (277-480V)
- Operating Temperature : -40°F~121°F
- Surge Protection : Built-in is 20KV

LED Features

- Color Temperature : RGBW (RGB + 3000K)
- CRI 85
- Long lasting LED luminaire tested under TM21 lumen maintenance L70 @ 100,000 Hrs

Optics

- Precision molded high transmittance clear PC len
- Beam Angle : 30°, 60°, Asymmetric

Advanced Dimming

- DMX : High resolution dims to 1%
- DALI : DT6 (4 Channel) control dims to 1%

EPA

- 500W : 4.62 ft²
- 750W : 6.6 ft²

Housing

- Diameter : 23" x 28.9" x 16" (500W), 23" x 41.3" x 20.4" (750W)
- Material : High Pressure Die-Cast Aluminum, Corrosion-resistant fluorocarbon-coated steel, Tempered Glass
- Weight : 44 lbs (500W), 77 lbs (750W)

Mounting

- Stem 2 ft / 4 ft / 6 ft
- Bracket
- Wall Mount
- Flood Mount

Warranty

- 5-year limited warranty

Listing

- ETL Wet Location Listed
- FCC
- IP66
- IK10 (Wire Guard)

PERFORMANCE SUMMARY*

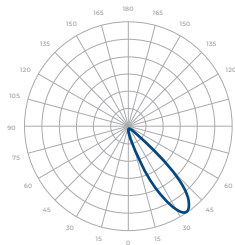
Delivered Lumens				
CCT/WATTAGE	R	G	B	W
500W	125W	125W	125W	125W
	8,660lm	16,000lm	4,490lm	12,760lm
750W	188W	188W	188W	188W
	13,000lm	24,000lm	6,740lm	19,150lm

Current Consumption			
WATTAGE / VOLT	277V	347V	480V
500W	1.99A	1.59A	1.15A
750W	2.98A	2.38A	1.72A

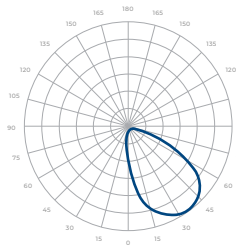
*Beam Angle: 60° *Tolerance ±8%

PHOTOMETRICS*

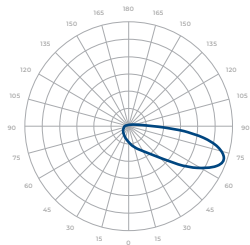
Below is a typical photometric representation of the Bolt Nova fixture. Please download IES files to ensure exact photometric value.
*35° Tilt



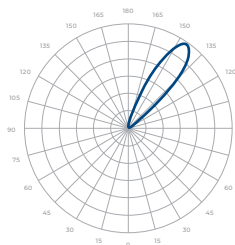
30° DIRECT



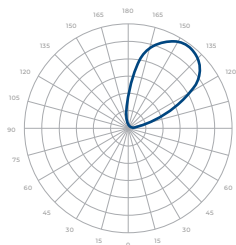
60° DIRECT



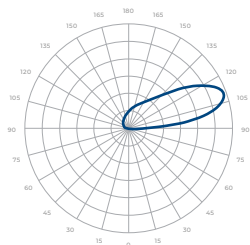
ASYMMETRIC DIRECT



30° INDIRECT



60° INDIRECT



ASYMMETRIC INDIRECT

DMX REQUIREMENTS

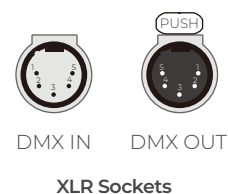
The Bolt Nova RGBW fixture with DMX is a **four channel dmx** unit. When placing an order, please indicate DMX address. (The DMX address will be listed on the back of the fixture). Do not connect more than 32 fixtures per DMX daisy chain.

DMX Address (W+RGB)				
Channel Fixture	Red Control (ex. X)	Green Control (ex. X+1)	Blue Control (ex. X+2)	White Control (ex. X+3)
#1	1	2	3	4
#2	5	6	7	8
#3	9	10	11	12

*The White Control channel adjusts the brightness of 3000K LEDs.

The fixture can be connected with XLR sockets. DMX cables **are not** included; please refer to compatible DMX cabling list for more information. The final fixture on each daisy chain should be terminated by the use of a DMX terminator purchased from a 3rd party or from Meteor.

CONNECTION	RJ45 (CAT5e)	5-PIN XLR
Common	WHITE/BROWN(PIN7) & BROWN (PIN 8)	PIN 1
Signal -	ORANGE (PIN 2)	PIN 2
Signal +	WHITE/ORANGE (PIN 1)	PIN 3
Spare	-	PIN 4
Spare	-	PIN 5



The DMX connection for this fixture must be **hard-wired**; please refer to the wiring diagram in the installation guide for detailed instructions. DMX cables are not included; please refer to the compatible DMX cabling list for more information. The final fixture on each daisy chain should be terminated by the use of a DMX terminator purchased from a 3rd party or from Meteor.

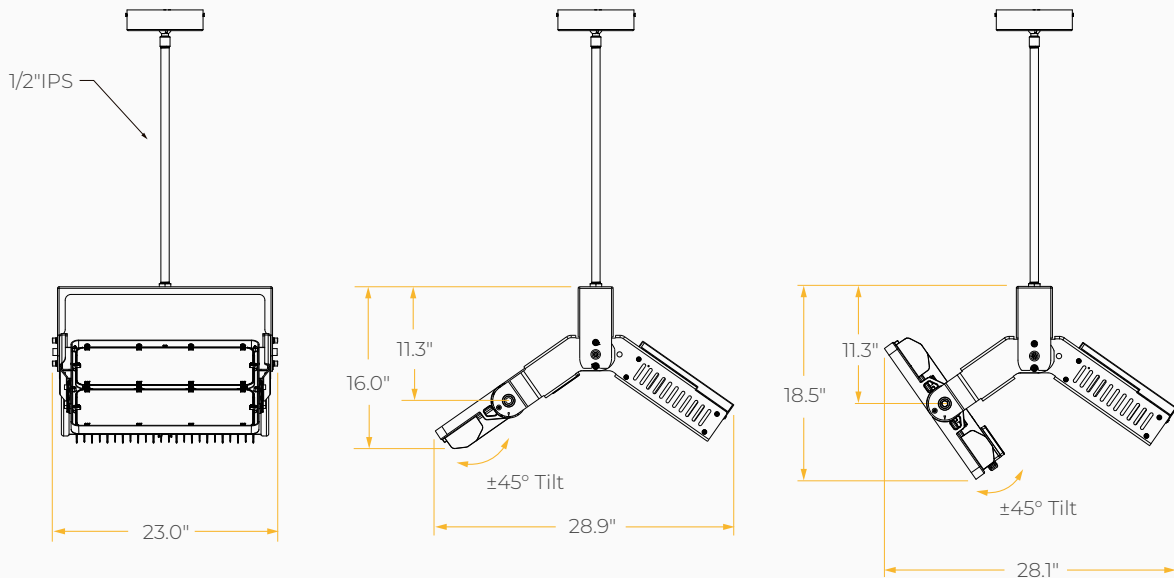
COMPATIBLE DMX CABLING LIST

DMX uses a cable consisting of two twisted pairs plus a shield to carry data. The cable must be specifically impedance matched for the digital DMX signal, meaning that microphone cable or other non-rated cable **must not be used to carry DMX**. Network cable (Cat5, 5e or 6 cable) may be used to carry DMX in an installation; however special consideration must be given to shielding and termination. Under no circumstances should solid core cable like Cat5 be terminated into a screw down connector.

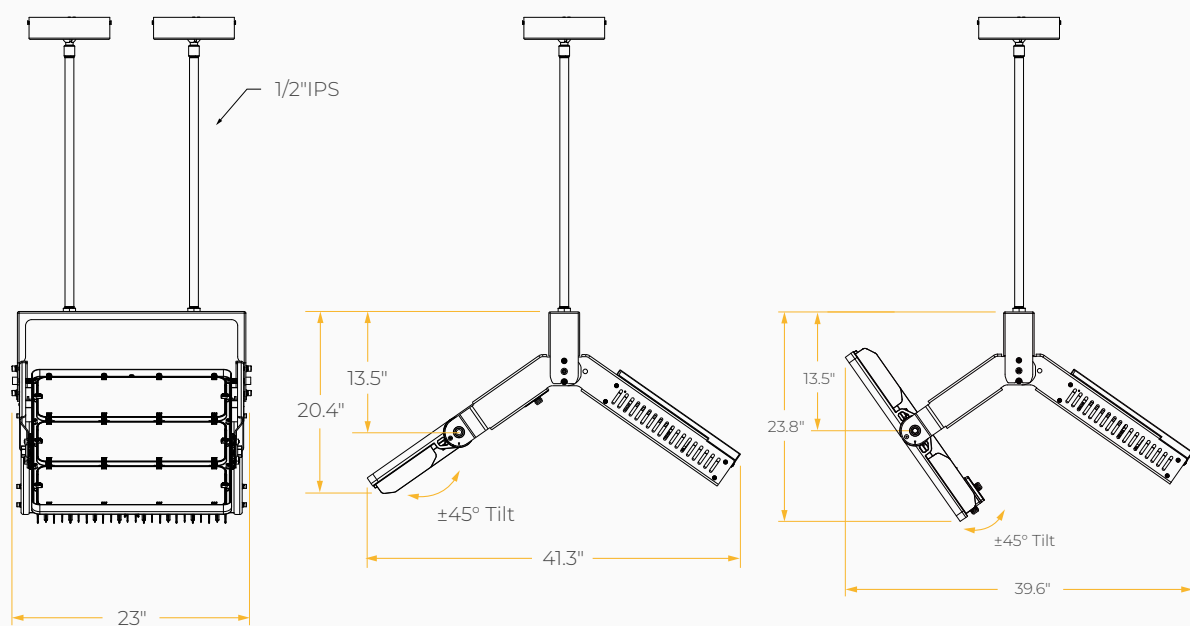
Meteor recommends the use of Belden 9729 or Belden 9841 for DMX installation. Belden 9729/9841 is a two pair cable, which allows for a spare pair for 'out and back' type terminations if needed.

DIMENSIONS

500W Uplight Stem

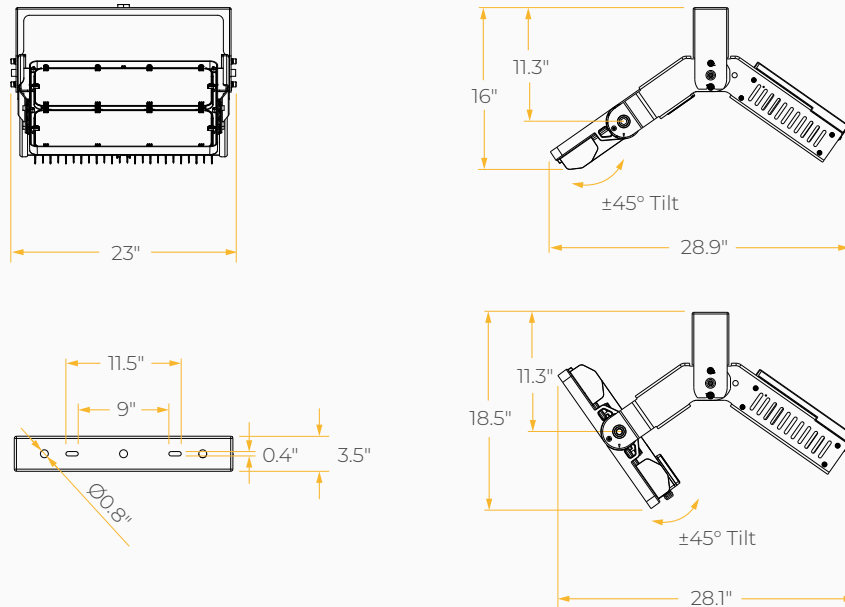


750W Uplight Stem

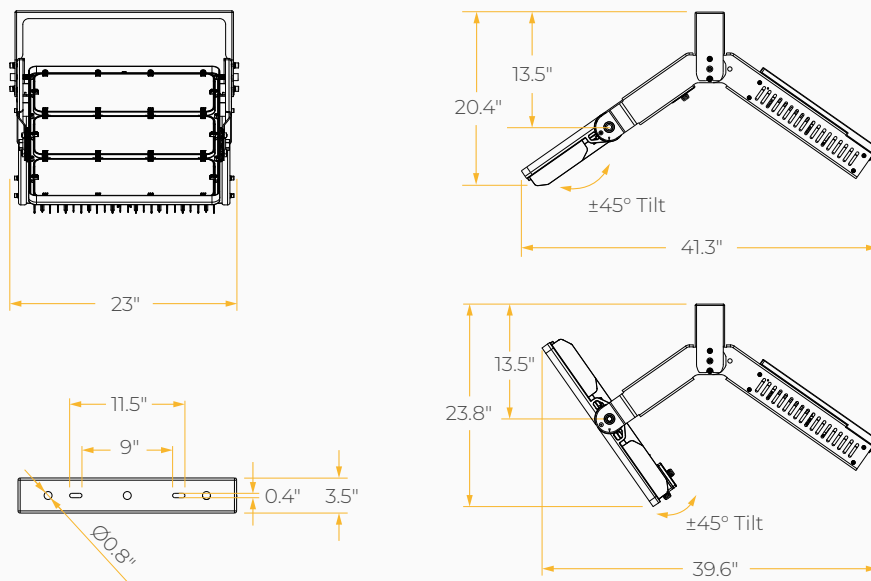


DIMENSIONS

500W Bracket

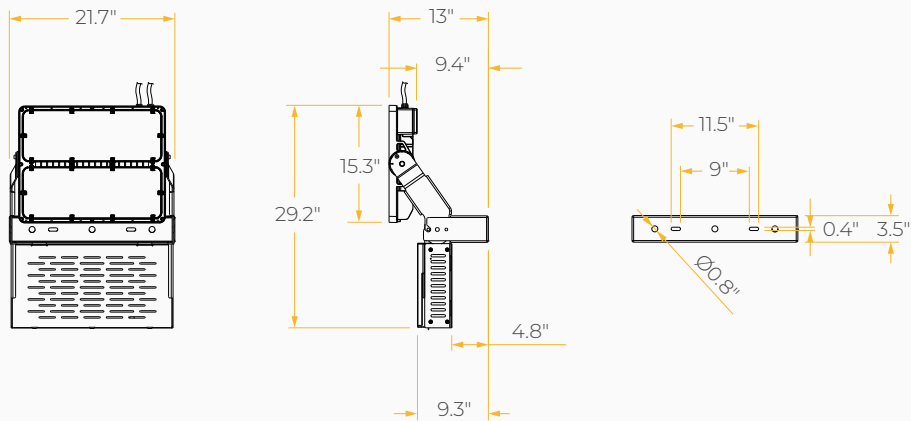


750W Bracket

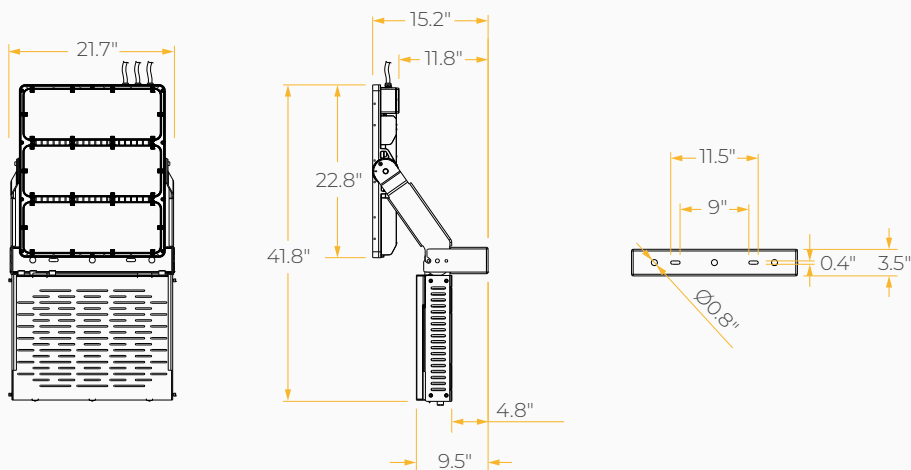


DIMENSIONS

500W Wall Mount

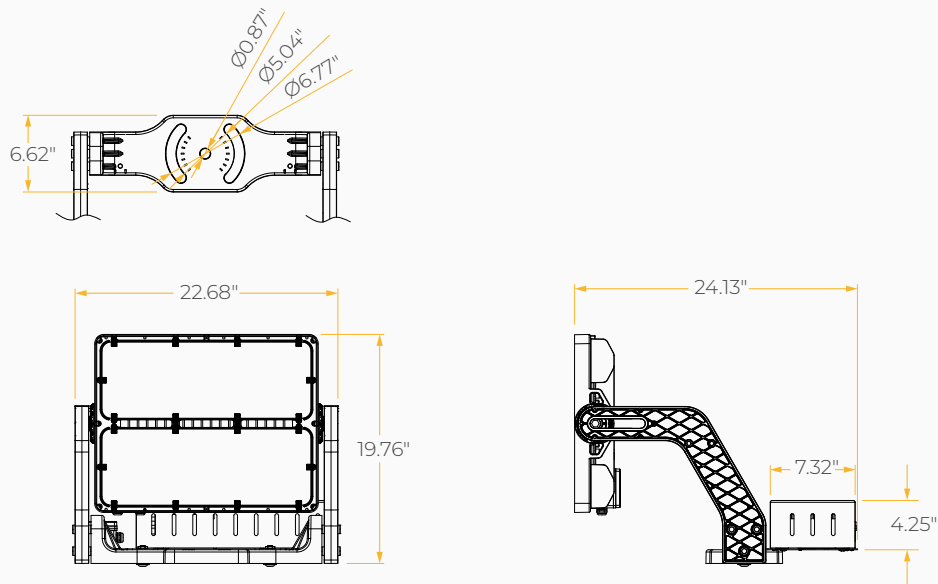


750W Wall Mount

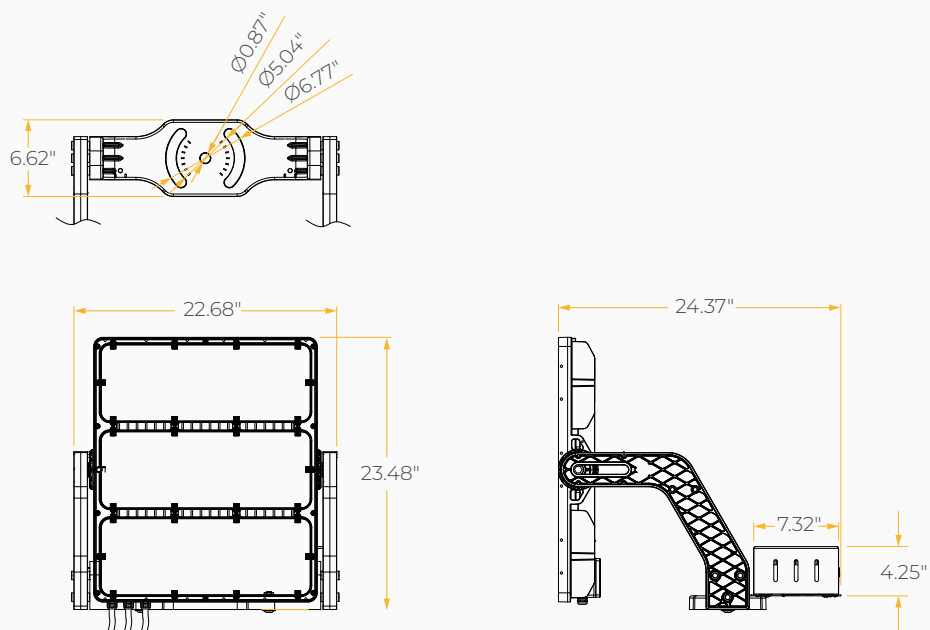


DIMENSIONS

500W Downlight Flood Mount

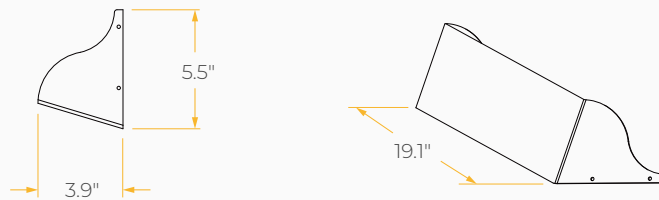


750W Downlight Flood Mount



ACCESSORIES

Glare Shield Visor



Glare Shield Visor (Asymmetric Beam Angle)



Wire Guard

